

### This model includes :

- Exhaust and air supply manual, automatic or remotely start/stop
- Automation of the washing sequences with cold water BIO (up to 3 networks)  
For more information on the BIO cleaning system, please refer to the BIO section of cadexair.com
- Complete air supply unit management
- Interruption and reset of cooking equipment
- Exhaust hood lights control
- Fire protection management according to NFPA 96

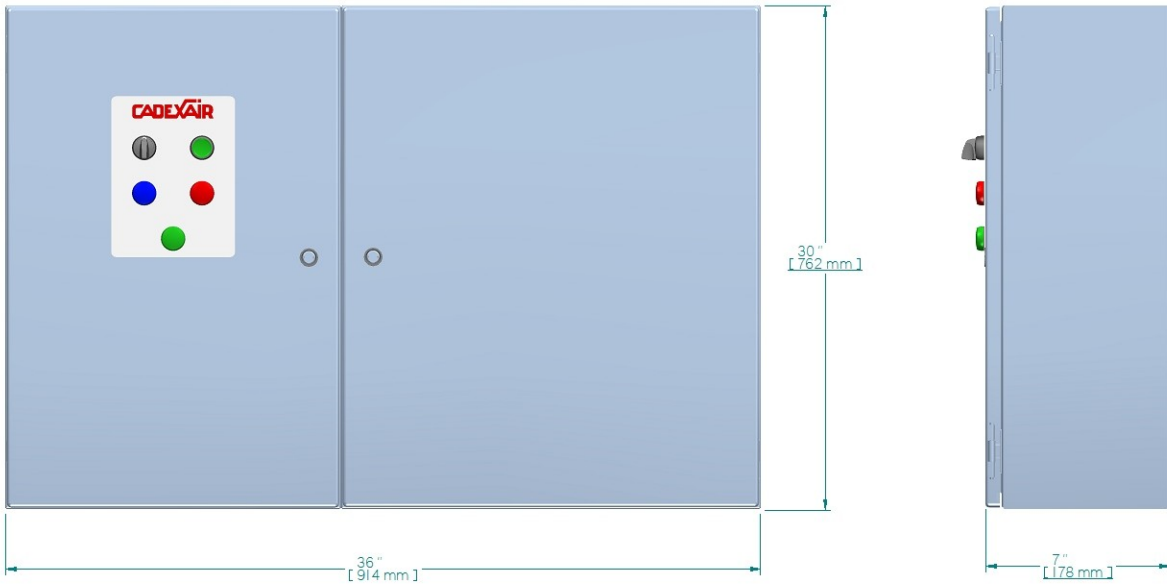
### Frequently requested options :

- SMART variable speed control processor  
For more information on the SMART variable system, please refer to the SMART section of cadexair.com
- Manual or automatic double speed exhaust control

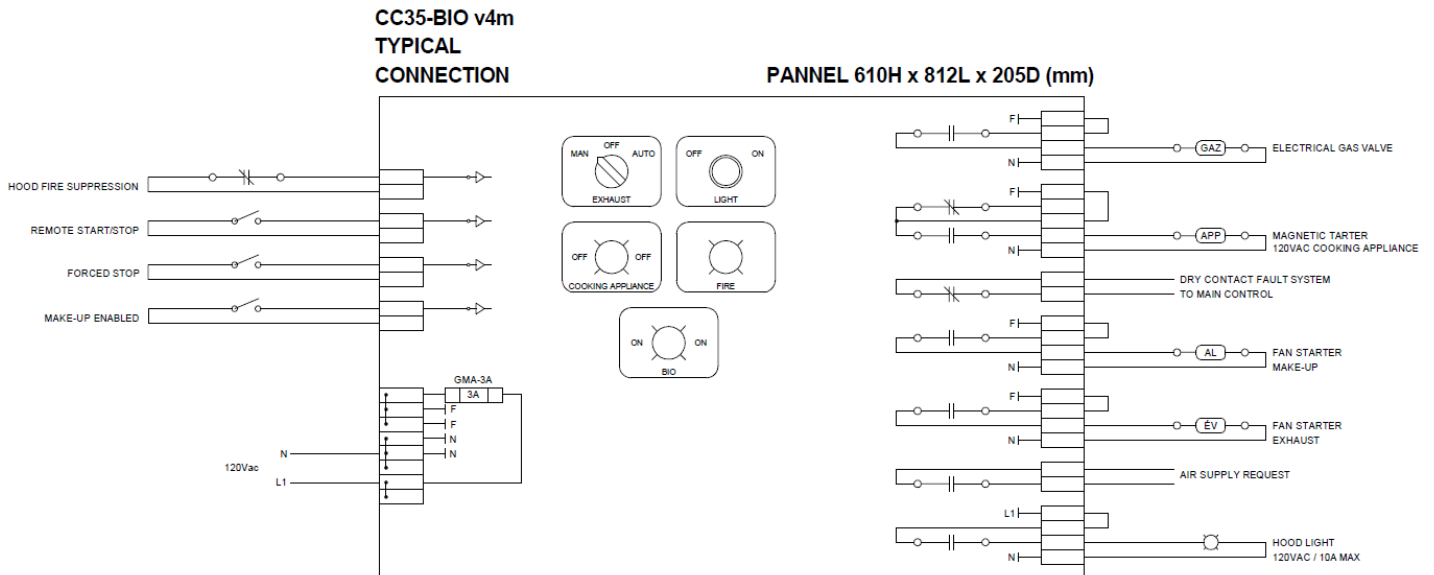
Specifications	
Installation	Wall-mounted or embedded
Boitier	Stainless steel; Surface finish #4
Voltage	120V
Amperage	15A

Need a *custom design* ? Contact us !

## Mecanical specifications



## Wiring schematics



Need a *custom design* ? Contact us !